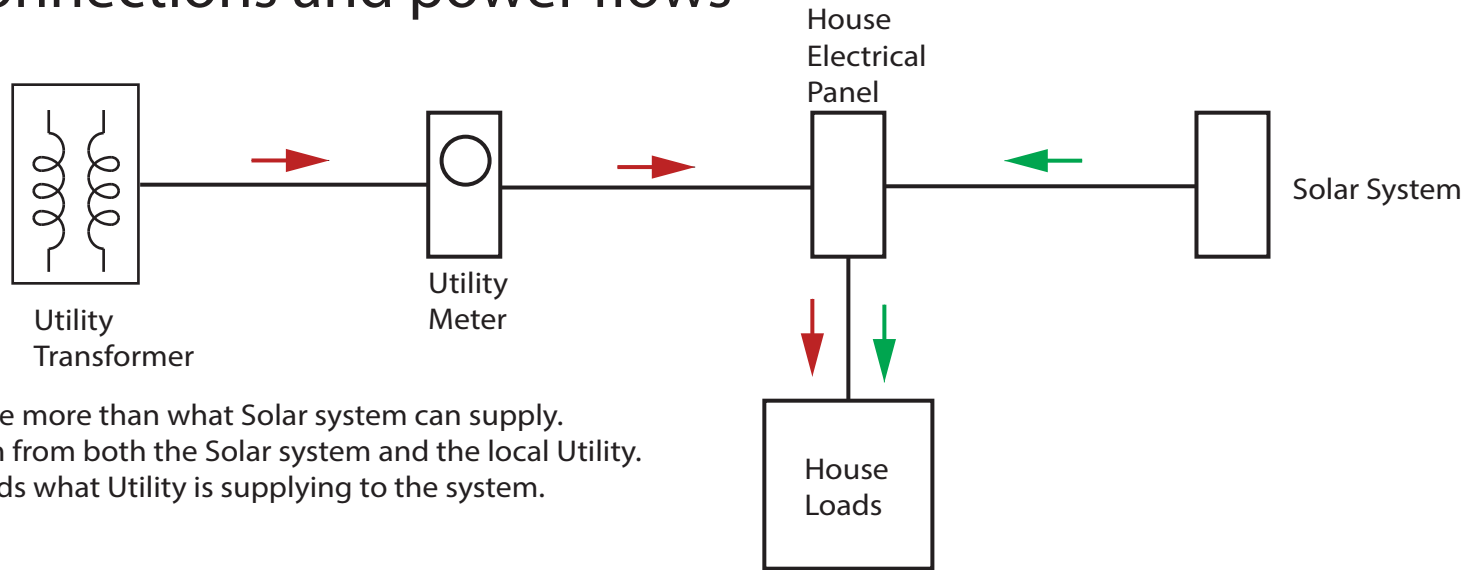
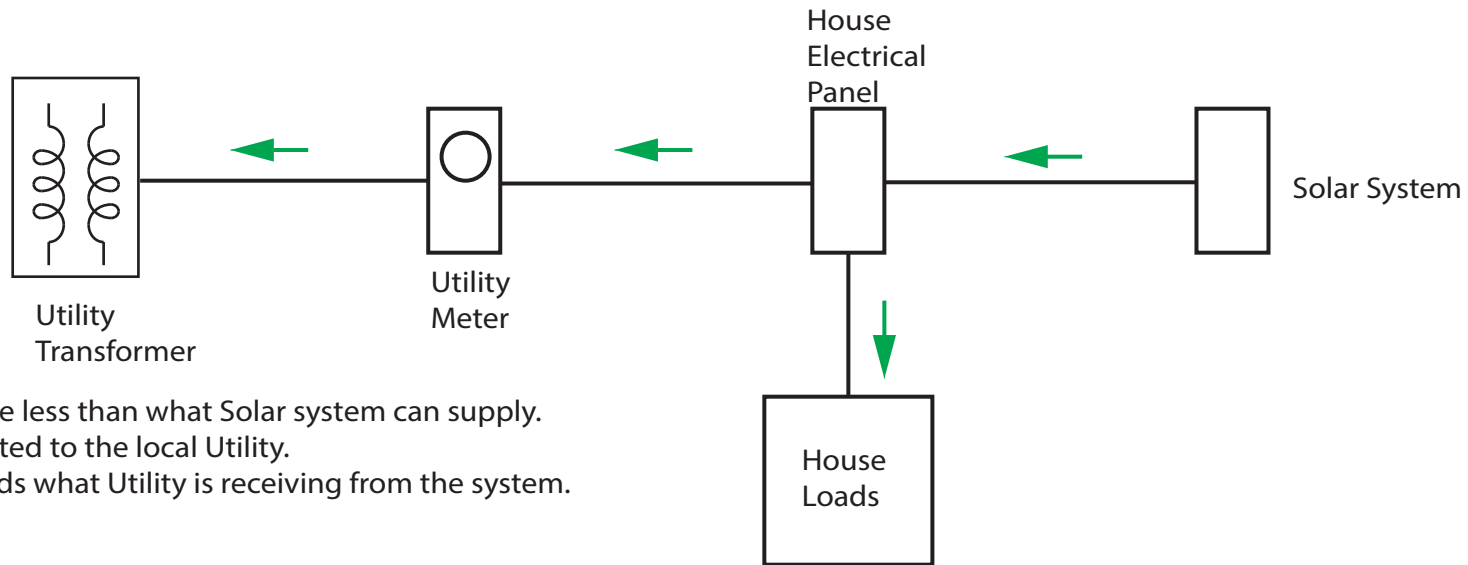


# Solar Connections and power flows

Dawn  
Dusk



Daytime



# Solar Connections and power flows

Morning / Night (No sunlight)

